



EV CHARGING STATIONS

Description:

Elmol is a 12KW single-phase AC charging pile, mainly used for AC charging of electric vehicles. The product is composed of charging pile body, wall-hanging backboard, floor-to-ground column (optional accessories), etc with charging protection, network monitoring, remote upgrade and other functions.



12 KW

100V-240V/50A

**Single
Phase**



J1772

Key Features:

- Simple industrial design, support quick installation
- 4.3 inches Touch color scree
- 16A 32A 40A 50A Charging current optional
- Built-in over voltage, short circuit & leakage protection
- Built-In Thermal Shutdown & UVLO Function
- Simpler UI / digital display
- Support wireless remote monitoring and control
- Support remote upgrade
- Energy Star Rated
- API integration with auto manufacturer apps
- Voice integration through Alexa, Google, Siri
- Has a powerful back-office management system
- Automatically stop once fully charged

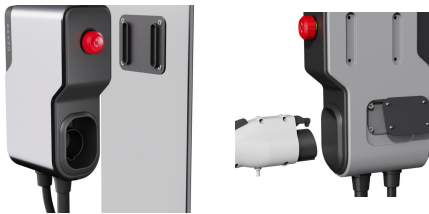


Product parameters:

Detailed specification	Product model:	AC240-1200
Appearance of the structure	The product name	240V50A network version of single-phase AC Charger
	Shell material	PC(V-0)(f1)
	Size	437.1*230.3*188.7mm
	Installation	Wall-mounted installation
	Installation of components	TBD
	Equipment weight	TBD
	Length of the cable	36 inch or 13.8 inch
	Plug	14-50P UL Plug
	LCD	4.3-inch touch screen
Electrical indicators	Input voltage	100-240V
	Input terminal	L,N,PE
	Input frequency	50-60Hz
	Max (KW)	12KW
	Precision of power	±2%
	Input current	≤50A
	Circuitbreaker	63A
	Output voltage	100-240V
	Output current	16A, 32A, 40A, 50A
	Standby power(W)	≤10W
Environmental indicators	Applicable usage	Indoor/ Outdoor
	Operating temperature	-30°C ~ +55°C
	Operating humidity	5% ~95% (No condensation)
	Operating altitude	<2000m
	Protection grade	IP65 (Charging gun IP54)
	Cooling	Natural cooling
	Charging gun	SAE_J1772
	MTBF	100,000 h
Safety design	Input voltage over voltage protection, input voltage under voltage protection, overload protection, leakage protection, earth protection, over temperature protection, lightning protection, etc.	
Functional design	Wi-Fi communication, background monitoring (cooperate with the platform), remote upgrade, mobile APP operation charging (cooperate with the platform), LED indication, LCD display, charging record storage (at least 90)	

Description:

TYPE A and TYPE B AC charging station are with modern design, installed at electric vehicle charging stations, public parking lots, residential community parking lots, and large-scale shopping mall parking lots to provide AC power for electric vehicles.



Key Features

- Compact and fashion design
- Very easy installation
- 54 IP resistant protection
- LCD display real data
- Intelligent control
- Max power 7KW, 220V single-phase
- Natural convection heat dissipation
- Multiple protection: Over current, over-temp protection etc
- Comply to CE, UL, GB, EMC and UL2231-2 standards

7 KW

220V/32A

**Single
Phase**



GT/T20234

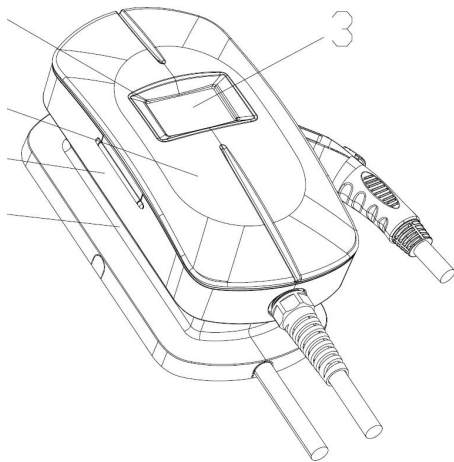
Product parameters:

Detailed specification	Product model:	AC220 A type
Appearance of the structure	The product name	220V32A network version of single-phase AC Charger
	Shell material	PC (V-0) (f1) & ACD12
	Size	285*186*100mm
	Installation	Wall-mounted installation
	Installation of components	Mounting panel&
	Equipment weight	TBD
	Length of the cable	Support Easyconnection
	Plug	GT/T20234
	LCD	LCD digital tube
Electrical indicators	Input voltage	220V-240V
	Input terminal	L,N,PE
	Input frequency	50-60Hz
	Max (KW)	6KW
	Precision of power	±2%
	Input current	≤32A
	Circuit breaker	40A
	Output voltage	220V-240V
	Output current	16A 32A
	Standby power (W)	≤5W
Environmental indicators	Applicable usage	Indoor/ Outdoor
	Operating temperature	-30°C ~ +55°C
	Operating humidity	5% ~ 95% (No condensation)
	Operating altitude	<2000m
	Protection grade	IP65 (Charging gun IP54)
	Cooling	Natural cooling
	Charging gun	GT/T20234
	MTBF	100,000h
Safety design	Input voltage over voltage protection, input voltage under voltage protection, overload protection, leakage protection, earth protection, over temperature protection, lightning protection, etc.	
Functional design	Wi-Fi communication, background monitoring (cooperate with the platform), remote upgrade, mobile APP operation charging (cooperate with the platform), LED indication, LCD display, charging record storage (at least 90)	

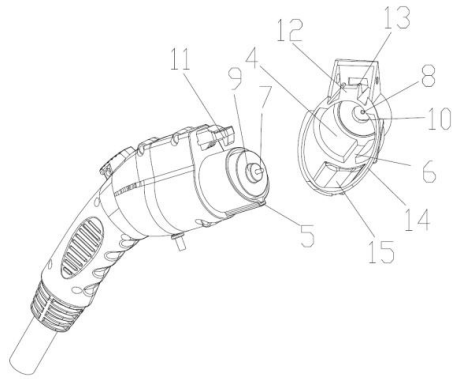
Honor:



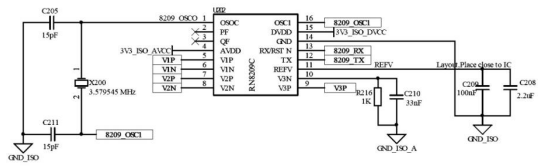
Letter of patent:



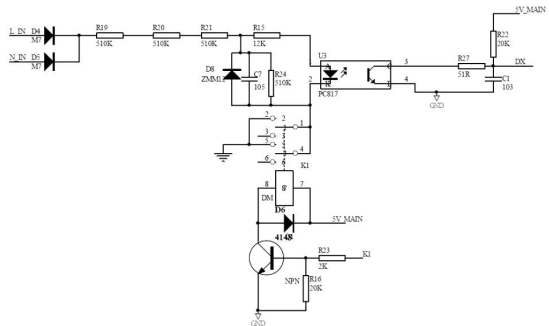
Patent of Invention



Patent of Charging gun holder



Patent of Earth leakage protection



Patent of Grounding detection





Factory name	Ningbo Yiteng Electric CO., LTD
Address	Yuyao, Ningbo, China
Phone(Sales)	(+86) 0574-6282 0133
E-mail	sue.liang@china-yiteng.com
Web	www.china-yiteng.com
Print date	Jun 2023